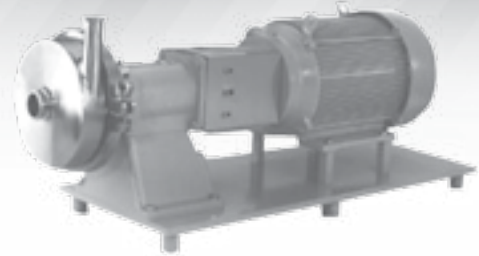


Models P2085HP and P2085LV

HIGH PRESSURE CENTRIFUGAL PUMPS



Features

- Manufactured for recirculating service in reverse osmosis and other membrane systems operating up to 1000 psi.
- Sanitary construction for food and dairy processing service.
- Strong cast iron bearing frames, that provide support for the pump independent of the motor.
- Coupling alignment is assured by motor flange adapter which ensures longer pump life by reducing coupling wear, bearing loads and improved shaft seal conditions.
- Large bearings with non-wearing labyrinth seals for longer life; low maintenance.
- Equipped with a balanced double shaft seal with buffer fluid ports on the top and bottom to permit complete removal of air/vapor from the seal chamber.
- Impeller is keyed and bolted to the large diameter stainless steel shaft. A balance drum is incorporated in the impeller to reduce axial shaft loads on thrust bearing.
- Mounted on heavy plate steel bases with adjustable sanitary legs.

Specifications

Model P2085HP

Inlet Size:	2 ^{1/2} "
Outlet Size:	2"
*Max. Head:	340 Ft. TDH
*Max. Flow	400 US GPM (90 m ³ /h)

* BASED ON 3500 RPM

Max. Discharge pressure: 1000 psi

Seal: Double Mechanical (Balanced)

Impeller Type: Semi-Open (Balanced)

Inlet and Discharge Fittings: As specified

Max. RPM: 3500

Bearings: Ball

Lubrication: Grease

Coupling: Wood's Type S

Driver: NEMA C Frame Motors (standard)

Model P2085HPLV

Inlet Size:	2"
Outlet Size:	1 ^{1/2} "
*Max. Head:	330 Ft. TDH
*Max Flow:	140 US GPM (31 m ³ /h)

* BASED ON 3500 RPM

Casing: 17-4PH Stainless Steel (polished)

Impeller: 316 Stainless Steel (polished)

Shaft: 316 Stainless Steel

Gaskets/O-Rings: FKM (Fluorocarbon)

Seal Face Product: Silicon Carbide/Silicon Carbide (std.)

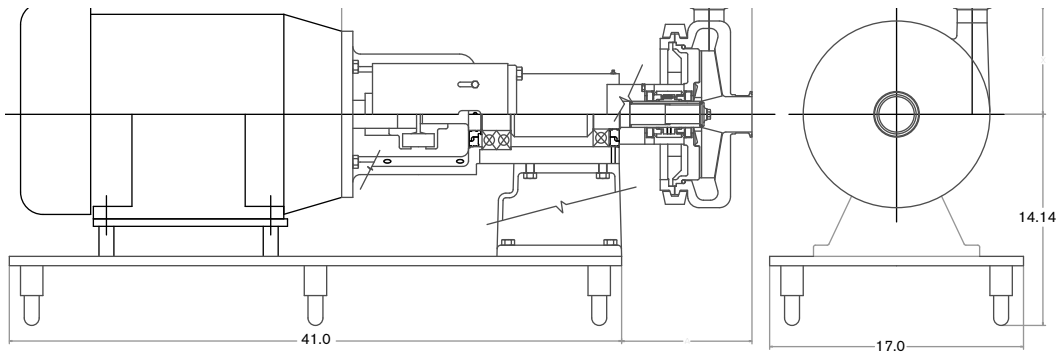
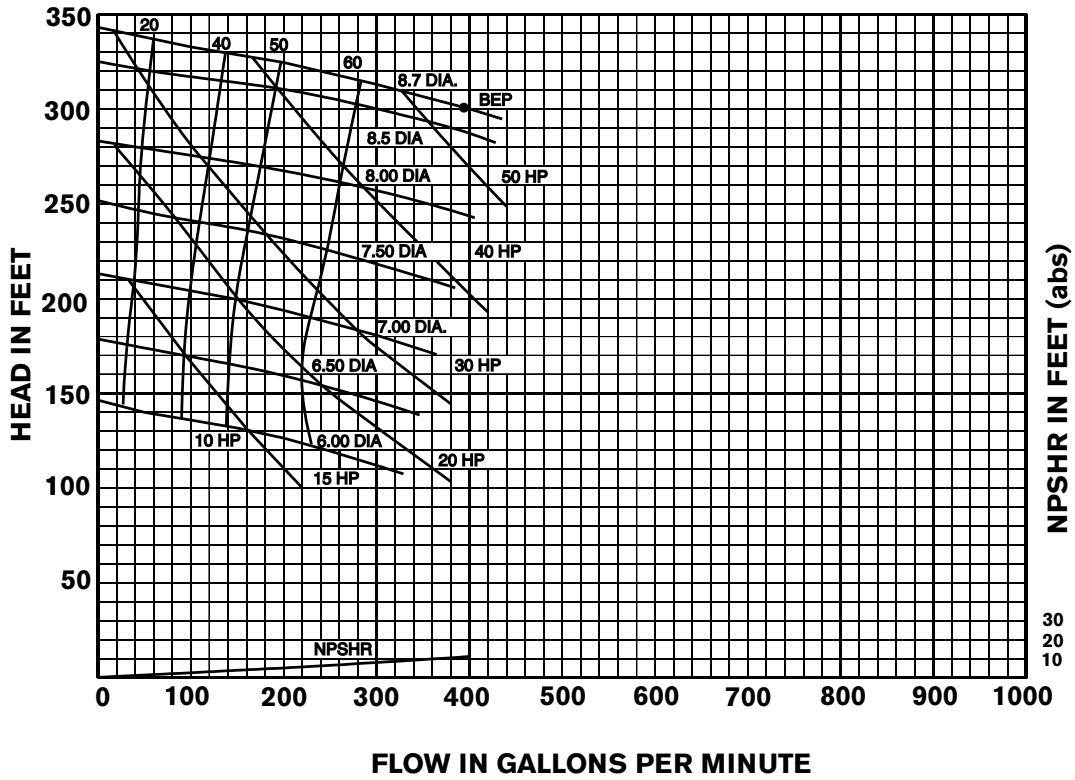
Seal Face Flush: Carbon/PUREBIDE (std.)

Bearing Housing: Cast Iron (epoxy paint)

Base: Steel (epoxy paint)

Model B2085HP Capacity Curves 2-1/2 X 2 3500 RPM

CAPACITY CURVES MODEL 2085HP 2 1/2" x 2" 3500 RPM



Global locations

USA

SPX FLOW TECHNOLOGY

611 Sugar Creek Road
 Delavan, WI 53115
 United States of America
 +1 262 728 1900



SPX FLOW TECHNOLOGY 611 Sugar Creek Road, Delavan, WI 53115
 P: (262) 728-1900 or (800) 252-5200, F: (262) 728-4904 or (800) 252-5012
 E: wcb@spx.com • www.spx.com

SPX reserves the right to incorporate our latest design and material changes without notice or obligation. Design features, materials of construction and dimensional data, as described in this bulletin, are provided for your information only and should not be relied upon unless confirmed in writing. Please contact your local sales representative in your region. For more information visit www.spx.com. The green ">" is a trademark of SPX Corporation, Inc. ISSUED 03/2015 FH-1704A CC

