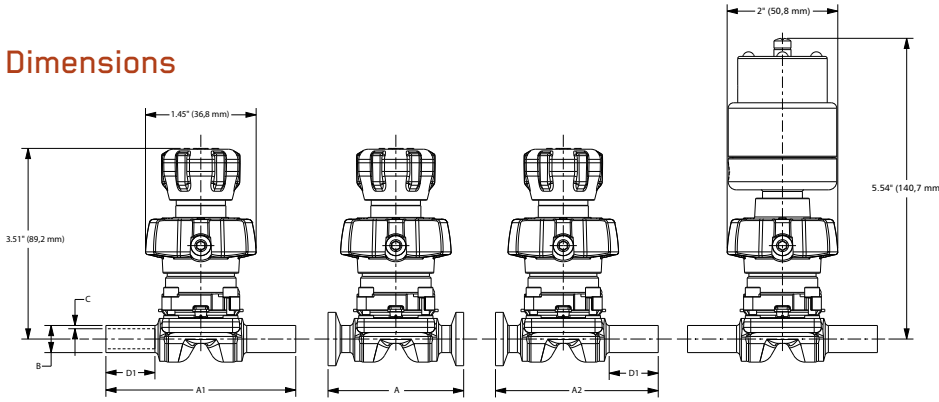




## Dimensions



USOD (ANSI)								
B	A	A1	D1	A2	C			
End Connection Size	Overall Length	Overall Length	Weld Tangent	Overall Length	20 GA.	18 GA.	Drain Angle	
IN	DN	Tri Clamp	Extended BW	Extended BW	TC x BW	Extended BW	Extended BW / ASME / BPE	ANSI
Forgings								
BV 0.25"	DN6	2.5" (64)	3.5" (89)	1" (25)	3.0" (76,2)	.035 (0,89)	.035 (0,89)	34°
BV 0.375"	DN10	2.5" (64)	3.5" (89)	1" (25)	3.0" (76,2)	.035 (0,89)	.035 (0,89)	27°
BV 0.5"	DN15	2.5" (64)	3.5" (89)	1" (25)	3.0" (76,2)	.065 (1,65)	.065 (1,65)	23°

Note: Drain angle tolerances of +/- 2° will assure optimal drainability  
Dimensions in ( ) are mm

## Cv/Kv Ratings

Size (in)	BV 0.5" (DN15)	
Cv/Kv	Cv	Kv
100% Open	2.1	1.83

Valve Size		BV 0.5" (DN 15)	
ΔP		100%	0%
Actuator Model		Fail Closed - Reverse Acting - Spring to Close Maximum Line Pressure (psi/(bar))	
	ZA2/ZA2S	1	150 (10.3)
	ZA26/ZA26S	1	65 (4.5)
Actuator Model	Line Pressure	Fail Open - Direct Acting - Spring to Open Air pressure required to shut-off line pressure (psi/(bar))	
		ZA1/ZA1S	20
	ZA1/ZA1S	40	69 (4.8)
	ZA1/ZA1S	60	72 (5.0)
	ZA1/ZA1S	80	74 (5.1)
	ZA1/ZA1S	100	76 (5.2)
	ZA1/ZA1S	125	79 (5.4)
	ZA1/ZA1S	150	82 (5.7)
Actuator Model	Line Pressure	Double Acting - Air to Open Air to Close Air pressure required to shut-off line pressure (psi/(bar))	
		ZA3/ZA3S	20
	ZA3/ZA3S	40	45
	ZA3/ZA3S	60	48
	ZA3/ZA3S	80	50
	ZA3/ZA3S	100	52
	ZA3/ZA3S	125	55
	ZA3/ZA3S	150	58

## How to Specify

Envizion configuration numbers follow the same format as the Pure-Flo platform, with the exception of adding the ENV prefix in front of the figure number. In addition, codes have been established for manual bonnets, actuators, and diaphragms as noted below.

Platform	
Code	Description
ENV	Envizion
Body Type	
Code	Description
F	Forged 316L SS
W	Wrought 316L SS
<b>BV</b>	<b>BioVizion 316L SS</b>
Envizion Manual Bonnets	
Code	Description
ZH	Envizion Zero torque Manual
ZHS	Envizion Zero torque Manual sealed

Envizion Actuated Stainless Steel Bonnets	
Code	Description
ZA1	Envizion Zero torque Actuator - FO
ZA2	Envizion Zero torque Actuator - FC (90#)
ZA3	Envizion Zero torque Actuator - DA
ZA1S	Envizion Zero torque Actuator - FO sealed
ZA2S	Envizion Zero torque Actuator- FC (90#) sealed
ZA3S	Envizion Zero torque Actuator - DA sealed

Envizion Advantage Bonnets	
Code	Description
ZB1	Envizion Advantage Zero torque Actuator - FO
ZB2	Envizion Advantage Zero torque Actuator - FC (90#)
ZB3	Envizion Advantage Zero torque Actuator - DA
ZB1S	Envizion Advantage Zero torque Actuator - FO sealed
ZB2S	Envizion Advantage Zero torque Actuator- FC (90#) sealed
ZB3S	Envizion Advantage Zero torque Actuator - DA sealed

Diaphragms	
Code	Description
TMZ	Envizion modified PTFE diaphragm (FDA)/B1 backing cushion

Topworks Options	
Code	Description
AOS	Adjustable Opening Stop
EBG	Envizion Bonnet Guard Tamper Resistant/Submersible

For more information on how to order an Envizion valve, see B.ENV-ORD.2017-11.

Valve Size	
Code	Description
.25	.25 Inch (DN6)
.38	.38 Inch (DN10)
.50	.50 Inch (DN15)
.75	.75 Inch (DN20)
1	1 Inch (DN25)
1.5	1.5 Inch (DN40)
2	2 Inch (DN50)

Body Ends	
Code	Description
Clamp	
419	Tri-Clamp Tube
419S	Tri-Clamp Tube 18 Gauge
419S1	Tri-Clamp Tube 20 Gauge
Buttweld	
423	18 Gauge
424	20 Gauge
428	16 Gauge
428L	16 Gauge Ext. Tangent BW

Surface Finish	
Code	Description
Mechanical Polish - Interior	
6	25 μin Ra (.6 μm) max
7	15 μin Ra (.38 μm) max
8	20 μin Ra (.5 μm) max
10	10 μin Ra (.25 μm) max
SF1	BPE SF1 Ra 20 Max
SF2	BPE SF2 Ra 25 Max
SF4	BPE SF4 Ra 15 Max, EP
SF5	BPE SF5 Ra 20 Max, EP
SF6	BPE SF6 Ra 25 Max, EP

Surface Finish	
Code	Description
Mechanical Polish - Exterior	
0	No Mechanical Polish
1	Scotch Brite
2	25 μin Ra (.6 μm) max, Welds Scotch Brite
3	35 μin Ra (.8 μm) max, Welds Scotch Brite
4	25 μin Ra (.6 μm) max, Welds Removed
6	35 μin Ra (.8 μm) max, Welds Removed
7	Special Polish Requirement

ElectroPolish	
Code	Description
0	No Electropolish
2	Exterior Only
3	Interior and Exterior
4	Interior Only

### Figure Number Example: ENV-5-BV-428L-6-0-0-TMZ-ZH

Description: .5" BioVizion manual valve, forged body, 16 gauge buttweld ends, 25 Ra interior polish with PTFE diaphragm with EPDM backing cushion